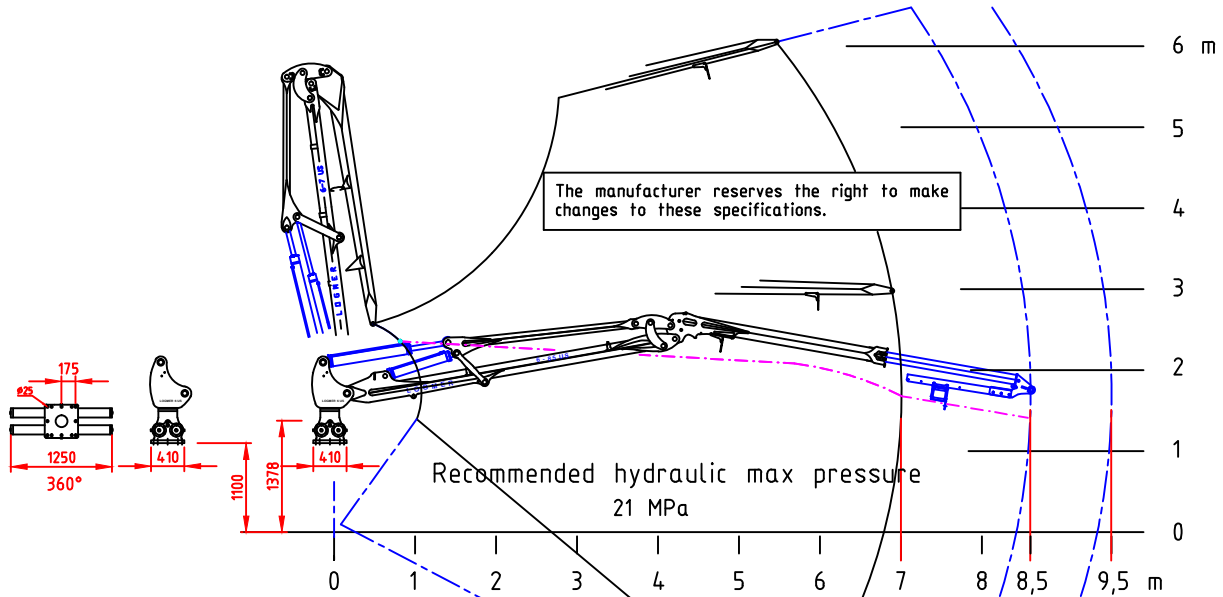
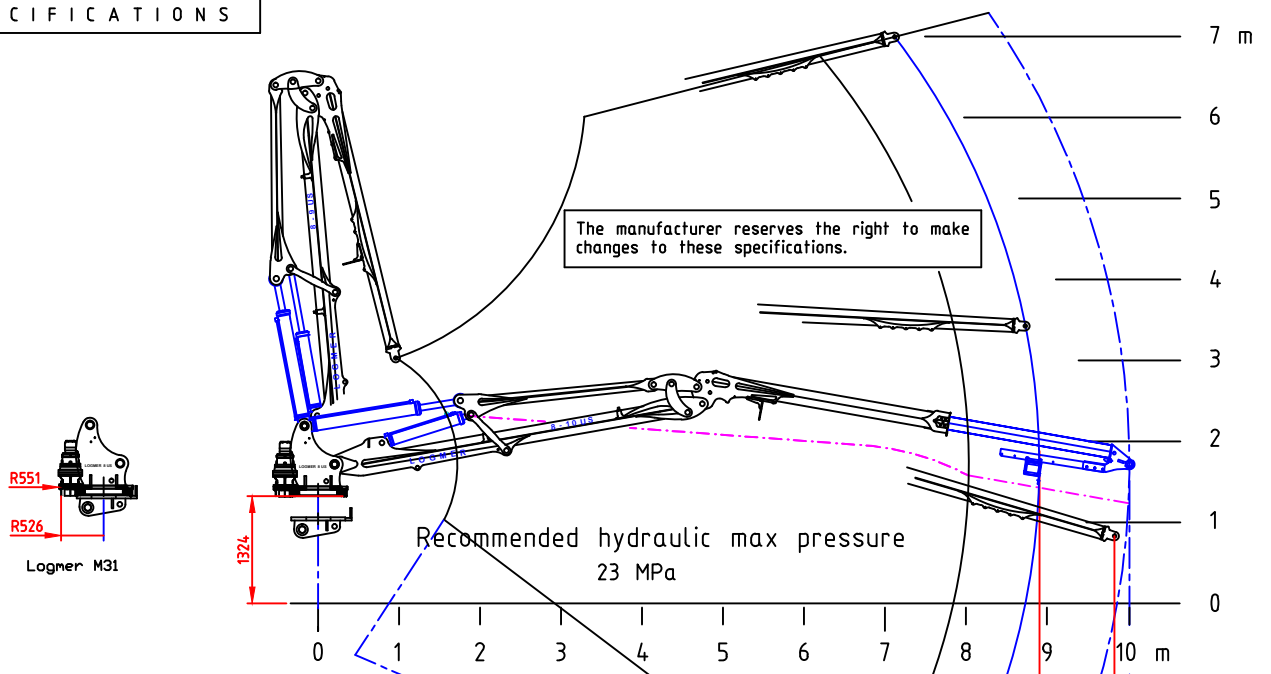


**SPECIFICATIONS**



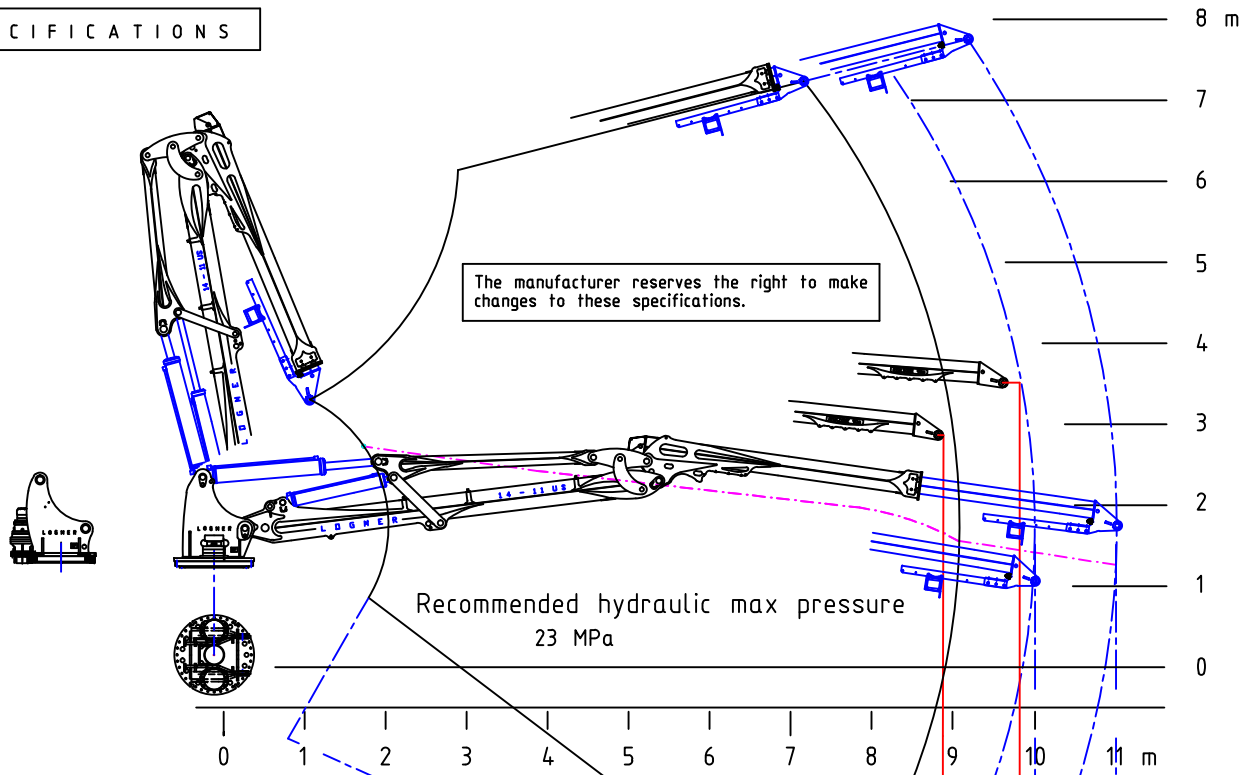
Harvester crane MODEL	Lifting M brutto	Rotating M brutto	Weight of booms without rotating unit	without extension	extension	kg
L O G M E R 6-7 US	60 kNm	18 kNm	700 kg	550 kg		
L O G M E R 6-85 US	80 kNm	22 kNm	895 kg	625 kg	1,6 m	
L O G M E R 6-95 US	100 kNm	22 kNm	995 kg	650 kg	2,0 m	

**SPECIFICATIONS**



Harvester crane MODEL	Lifting M brutto	Rotating M brutto	Weight of booms without rotating unit	without extension	extension	kg
L O G M E R 8-9 US	140 kNm	31 kNm	1190 kg	950 kg		
L O G M E R 8-1 US	140 kNm	31 kNm	1250 kg	850 kg		
L O G M E R 8-10 US	140 kNm	31 kNm	1350 kg	700 kg	2,0 m	

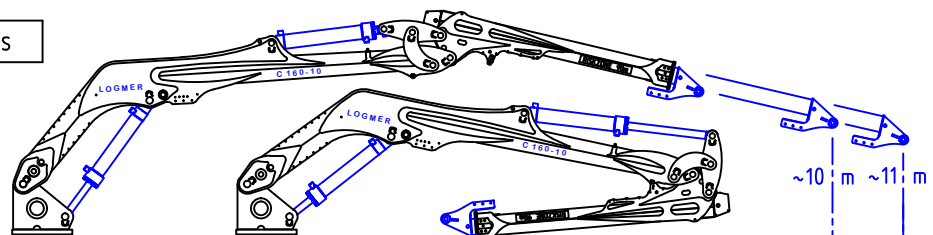
**SPECIFICATIONS**



Harvester crane MODEL	Lifting M brutto	Rotating M brutto	Weight of booms without rotating unit		
L O G M E R 10-9 US	200 kNm	39 kNm	1260 kg	without extension	1350 kg
L O G M E R 10-1 US	200 kNm	39 kNm	1360 kg	without extension	1250 kg
L O G M E R 10-10 US	200 kNm	39 kNm	1480 kg	extension 1,6 m	1150 kg
L O G M E R 10-11 US	200 kNm	39 kNm	1570 kg	extension 2,5 m	1050 kg
Note! 54 D = Dual rotating motor					
L O G M E R 14-9 US	260 kNm	54 D kNm	1440 kg	without extension	2000 kg
L O G M E R 14-1 US	260 kNm	54 D kNm	1560 kg	without extension	1850 kg
L O G M E R 14-10 US	260 kNm	54 D kNm	1690 kg	extension 1,6 m	1700 kg
L O G M E R 14-11 US	260 kNm	54 D kNm	1800 kg	extension 2,2 m	1550 kg
Note! 75 D = Dual rotating motor					
L O G M E R 18-9 US	340 kNm	75 D kNm	1690 kg	without extension	2600 kg
L O G M E R 18-1 US	340 kNm	75 D kNm	1830 kg	without extension	2250 kg
L O G M E R 18-10 US	340 kNm	75 D kNm	2000 kg	extension 1,6 m	2100 kg
L O G M E R 18-11 US	340 kNm	75 D kNm	2160 kg	extension 2,2 m	1950 kg

**SPECIFICATIONS**

Recommended hydraulic max pressure 23 MPa



Combi crane MODEL	Lifting M	Rotating M	Weight of booms		
L O G M E R C160-10	160 kNm	39 kNm	1360 kg	extension 1,6 m	1000 kg
L O G M E R C160-11	160 kNm	39 kNm	1440 kg	extension 2,5 m	900 kg